

1.0 PERFORMANCE

FREQUENCY: SEE TABLE 1
 NOMINAL IMPEDANCE: 50 OHMS
 DWV: 500 Vrms @ 60Hz
 TEMP. RANGE: -55/+165 °C
 VSWR < 1.35:1 MAX

2.0 MATERIALS

CONNECTORS: SEE TABLE 1
 MARKERS: HEAT SHRINK
 STRAIN RELIEF: HEAT SHRINK
 SOLDER: LEAD FREE

3.0 ORDERING INFORMATION

086FLEX-CON1-CON2-iii

CONNECTOR
CODE 1

CONNECTOR
CODE 2

LENGTH iii
INCHES

DWG NO.		REV.
OL-086FLEX-CON1-CON2-1		B
MARKER DETAILS		
MARKER 1	086FLEX-CON1-CON2-iii REV X WW/YY SNXXXX	
MARKER 2	 WWW.SANTRON.COM	

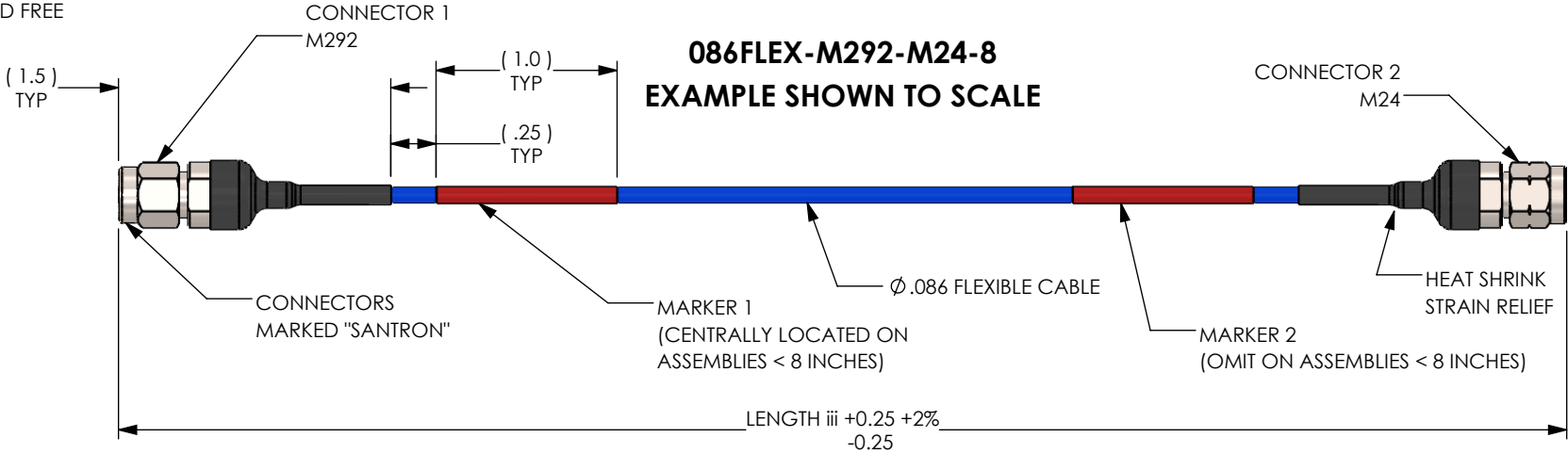


TABLE 1: CONNECTORS

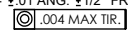
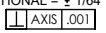
CONNECTOR CODE	SERIES	SAN-TRON P/N	MAX FREQUENCY (GHz)
MSMA	SMA MALE	1201-27-AJP	26.5
M292	2.92mm MALE (TYPE K)	2901-88-PJ	40
M24	2.4mm MALE	4201-01-PJ	50
M185	1.85mm MALE	5301-03-PJ	50


TYPICAL INSERTION LOSS (CABLE ONLY, ADD 0.4dB FOR 2 STRAIGHT CONNECTORS)	
FREQUENCY (GHz)	INSERTION LOSS (dB/in)
0.5	0.011
1.0	0.016
5.0	0.038
10.0	0.057
18.0	0.081
26.5	0.103
40.0	0.134
50.0	0.155

REVISIONS					
REV.	DESCRIPTION	DISP	DATE	DRAWN	APPROVED
B1	IL TABLE	NEW	6/10/24	NBS	NBS
B	CONNECTOR CHANGES	NEW	5/16/24	NBS	NBS
A	RELEASE	NEW	5/2/24	NBS	NBS

This drawing and any information or descriptive material set out on it are the confidential and copyright property of SAN-TRON, INC. © and MUST NOT BE DISCLOSED, COPIED, LOANED in whole or part or used for any purpose without the written permission of SAN-TRON, INC.

UNLESS OTHERWISE SPECIFIED: ALL DIMENSIONS ARE IN INCHES. ALL DIMENSIONS ARE AFTER PLATING.

.XXX = ±.005 ALL MACHINED SURFACES $\sqrt{32}$ MAX.
 .XX = ±.01 ANG. ±1/2" FRACTIONAL = ± 1/64
 .004 MAX TIR.  .001

Projection Method:
THIRD ANGLE


REMOVE ALL BURRS AND SHARP EDGES .005 MAX

Description:
 STANDARD CABLE ASSEMBLY, Ø .086 FLEXIBLE CABLE, VARIOUS CONNECTORS

Legal Owner:
SAN-TRON, INC.
 4 TURNPIKE ROAD. IPSWICH MA USA 01938
 TEL: 978-356-1585 FAX: 978-356-1573
 WWW.santron.com EMAIL: santron@santron.com

Designed by: NBS	Design Date: 5/1/2024
Checked by: JL	Checked Date: 5/2/2024
Approved by: NBS	Approved Date: 5/2/2024

Company Confidential
 CAGE CODE: 50896
 Sheet: 1 of 1